

HERCULES

DEDICATED RESIDENTIAL FRONT LOADER



The “Take-It-All” Residential Collection Vehicle

- Designed For One-Man Collection
- Includes Hydraulics, Ready For All Major Brands of Automated and Semi-Automated Containers
- Fast and Efficient – 10 Second Container Dump Time
- Patented Fuel Saving Hydraulics
- Low Profile and Lightweight Design For Residential Application

E-Z Pack

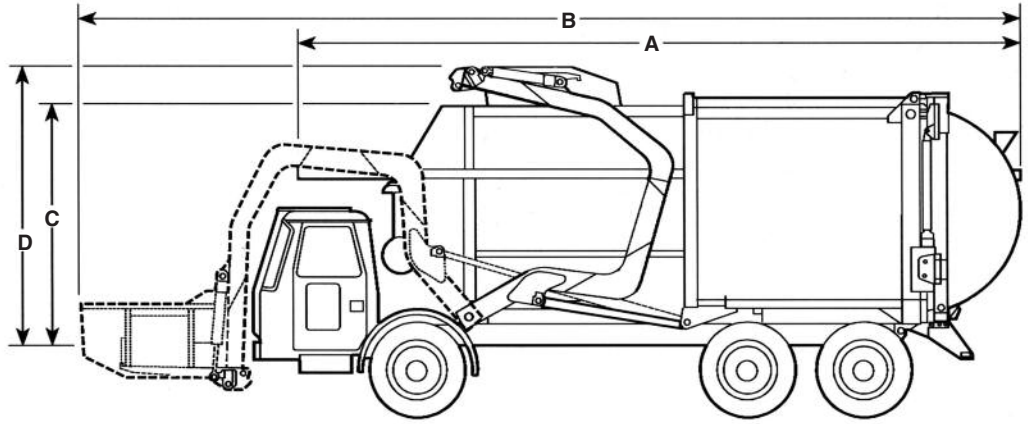


Innovation Made E-Z



E-Z Pack

HERCULES Residential Front Loader SPECIFICATIONS



MODEL	30 Cu. Yd. (22.95 m ³)	35 Cu. Yd. (26.8 m ³)	37 Cu. Yd. (28.3 m ³)	40 Cu. Yd. (30.6 m ³)
A OVERALL LENGTH (Arms Up)	318" (8077 mm)	328" (8331 mm)	340" (8636 mm)	364" (9246 mm)
B OVERALL LENGTH (With Standard Carry Can)	420" (10,668 mm)	430" (10,922 mm)	442" (11,227 mm)	466" (11,836 mm)
C HEIGHT Above Chassis Frame (Arms Down)	104" (2642 mm)			
D HEIGHT Above Chassis Frame (Arms Up With Carry Can)	117" (2972mm)			
HOPPER VOLUME	10 Cu. Yd. (7.6 m ³)			
HOPPER OPENING WIDTH	80.25" (2038 mm)			
HOPPER OPENING LENGTH	89" (2261 mm)			
INSIDE WIDTH (Body)	88" (2235 mm)			
INSIDE HEIGHT (Body)	95" (2413 mm)			
OVERALL WIDTH	102" (2591 mm)			
HOPPER WIDTH	80.25" (2038 mm)			
ARM LIFTING CAPACITY	6,000 lbs. (2722 kg)			
WEIGHT (Body w/out Carry Can)	15,600 lbs. (7020 kg)	15,700 lbs. (7065 kg)	15,900 lbs. (7155 kg)	16,500 lbs. (7425 kg)
FRONT AXLE RATING (Min)	20,000 lbs.	20,000 lbs.	20,000 lbs.	20,000 lbs.
REAR AXLE RATING (Min)	38,000 lbs.	40,000 lbs.	44,000 lbs.	44,000 lbs.
PERFORMANCE				
CONTAINER DUMP CYCLE	10 Seconds			
PACKING CYCLE TIME	20 Sec.	20 Sec.	25 Sec.	25 Sec.
EJECTION CYCLE TIME	35 Sec.	35 Sec.	40 Sec.	40 Sec.
TAILGATE OPEN / CLOSE	15 Sec. / 20 Sec.			

Standard Features

- Patented Load Sense Hydraulic System, saves fuel and improves performance
- Auto Dump Cycle
- 100 Gallon (380 Liters) sump created by curved rear body floor
- Body floor, sides and roof radiused for greater strength
- 4 packing blade shoes (2 center mounted), replaceable without removing packing blade
- Automatic latch/unlatch tailgate
 - Automatic packing cycle
- High mount light package
 - Mounting bracket for strobe and camera
- Tailgate maintenance props

CONSTRUCTION AND OPERATIONAL DETAILS	
Hopper Floor (Material Area)	3/16" (4.76 mm) 155,000 PSI 400 BHN
Hopper Floor (Under Packer Blade)	10 ga. (3.42 mm) 100,000 PSI
Hopper Sides (Upper)	10 ga. (3.42 mm) 100,000 PSI
Hopper Sides (Lower)	7 ga. (4.55 mm) 100,000 PSI
Arm Wrapper Bars	3/4" (19.05 mm) 80,000 PSI
Arm Side Plates	1/4" (6.35 mm) 100,000 PSI
Body Floor	10 ga. (3.42 mm) 100,000 PSI
Body Sides	10 ga. (3.42 mm) 100,000 PSI
Body Roof	10 ga. (3.42 mm) 100,000 PSI
Tailgate Sides and Bubble	10 ga. (3.42 mm) 100,000 PSI
Interlaced 10" (254 mm) Longitudinals Under Hopper - Flange Type 13" (320 mm) Wide Longmembers Under Body	
CONTROLS	
Arms & Forks	Air Over Hydraulic
Packer Blade	Electric Over Hydraulic
Tailgate	Electric Over Hydraulic
Optional Cart Tipper	Electric Over Hydraulic
HYDRAULIC SYSTEM	
Type	Load Sense
System Operating Pressure	2750 PSI
Hydraulic Pump	Piston, Front Mount, Crankshaft Driven - 42 GPM @ 1200 RPM (159 Liter/Min.)
Hydraulic Flow Required for Performance Specs	50 GPM (189 Liter/Min.)
System Rate Flow Capacity	70 GPM (265 Liter/Min.)
Hydraulic Tank Capacity (Pressurized Tank)	47 Gallons (178 Liters)
Lift Arm Cylinders (2)	3-1/2" (89 mm) (D.A.)
Fork Cylinders (2)	3" (76 mm) (D.A.)
Tailgate Cylinders (2)	3" (76 mm) (D.A.)
Packing Cylinders (2) Full Eject	5-1/2" (140 mm) 118,792 lbs. Packing Force
Hydraulic Filters	6 Micron Pressure / 6 Micron Return / 3 Micron Breathers
Residential Carry Can	3 Cu. Yd. (2.3 m ³) Steel Construction
<i>SPECIAL NOTE: Chassis must be low entry type cab with horizontal or low outlet vertical exhaust. Consult factory for chassis compatibility.</i>	

E-Z Pack Manufacturing, LLC, reserves the right under its Product Improvement Program to modify construction and/or design and furnish equipment without reference to illustrations and specifications shown herein. All specifications are subject to change without notice.



E-Z Pack Manufacturing, LLC
P.O. Box 790 • 200 Ladish Road • Cynthiana, KY 41031
Phone 859-234-1100 • Fax 859-234-0061
www.ezpacktrucks.com

Authorized Distributor: